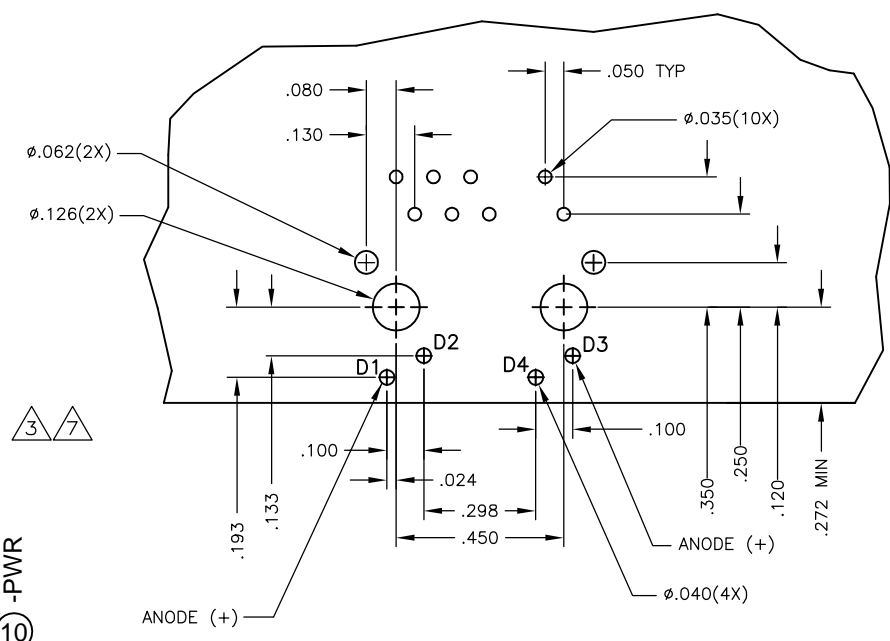
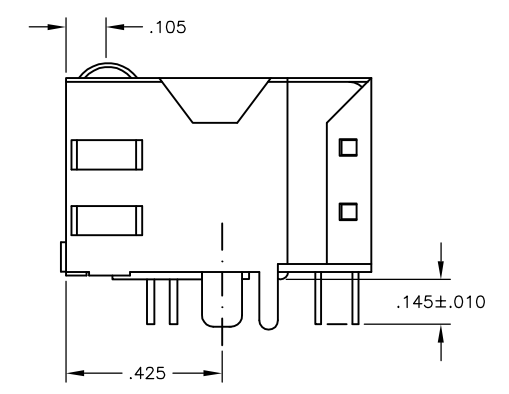
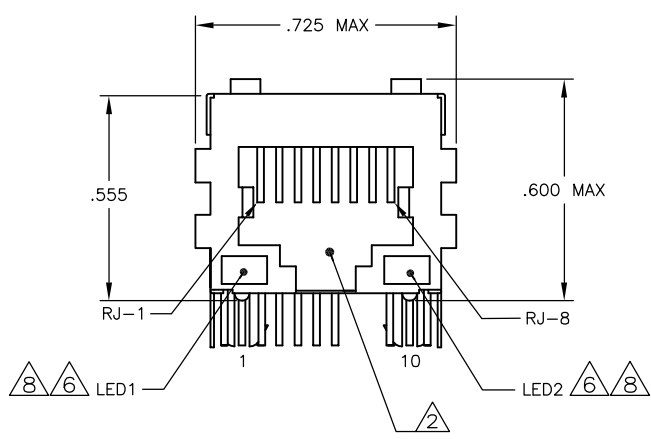
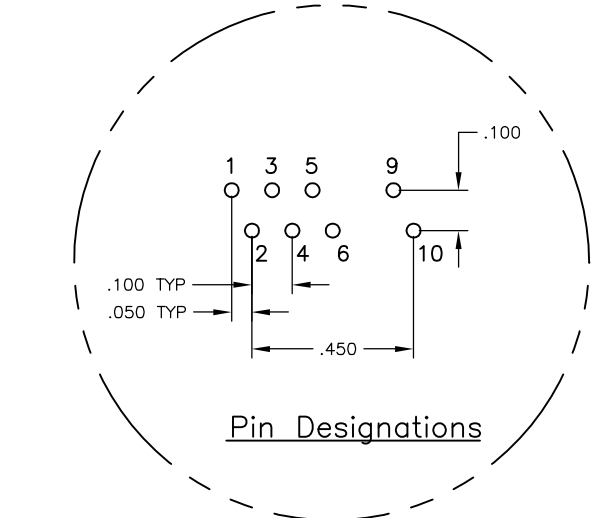
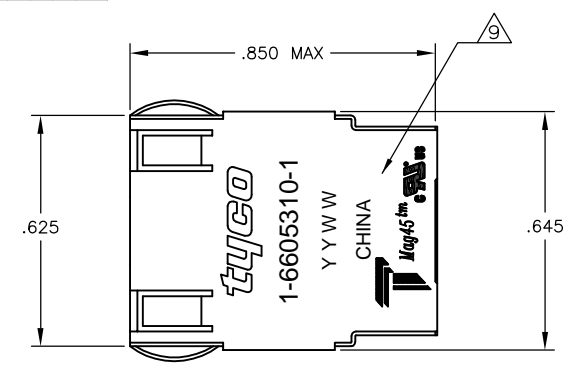


LOC		DIST		REVISIONS					
AA	22			P	LR	DESCRIPTION	DATE	DRW	APPD
		B		REV PER	ECO-07-030512		07DEC2007	RQ	TX

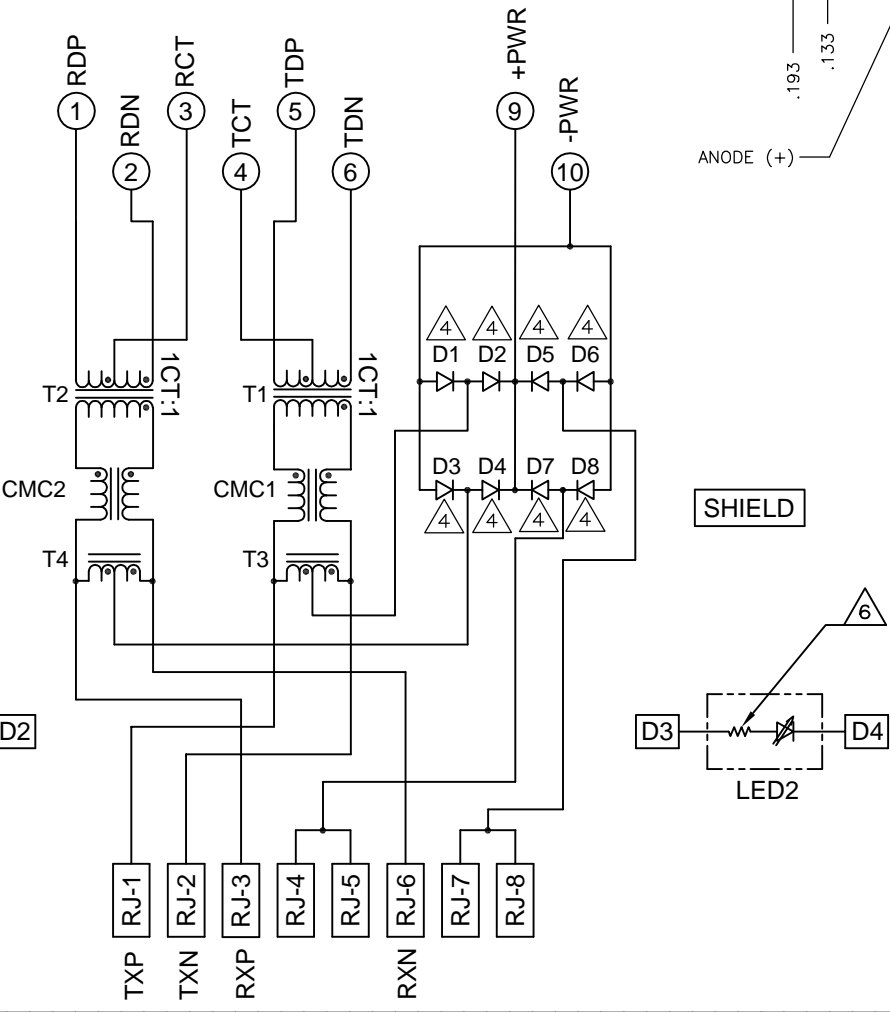
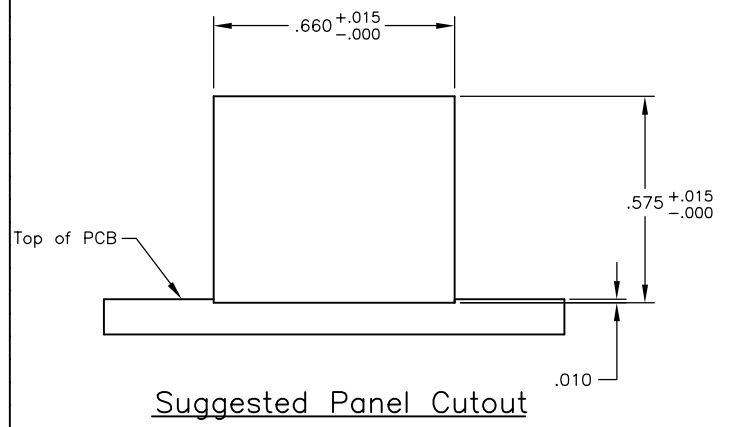
MECHANICAL:



**Suggested PCB Layout
(Component Side)**

ELECTRICAL:

3D15 SERIES PoE MAGNETIC CIRCUIT



MATERIALS:
 HOUSING - THERMOPLASTIC PET POLYESTER FLAMMABILITY RATING UL 94V-0.
 SHIELD - .010" THICK, C26800 BRASS PREPLATED WITH 30μINCH SEMI-BRIGHT NICKEL. SOLDER TABS POST DIPPED WITH 100μINCH MIN SAC SOLDER.
 MOD JACK CONTACTS - 0.0157 X 0.018" PHOSPHOR BRONZE, 50μINCH MIN OVERALL NICKEL UNDERPLATE, WITH SELECT 50μINCH MIN HARD GOLD FINISH PLATE SOLDER TAILS WITH 100μINCH MIN MATTE TIN AND/OR SAC SOLDER DIP.
 LIGHT EMITTING DIODE(LED) - DIFFUSED EPOXY LENS, .020" x .020" CARBON STEEL WIREFRAME LEADS PRE-PLATED WITH 80μINCH SILVER OVER 40μINCH NICKEL UNDERPLATE OVER 40μINCH COPPER UNDERPLATE. POST-PLATED WITH 100μINCH MIN MATTE TIN AND/OR SAC SOLDER DIP OR PURE TIN SOLDER DIP.

RJ45 JACK CAVITY CONFORMS TO FCC RULES AND REGULATIONS PART 68, SUB PART F.

MAGNETICS
 -IMPEDANCE: 100 OHMS
 -TURNS RATIO (CHIP:CABLE): TX = 1:1, RX = 1:1
 -OPEN CIRCUIT INDUCTANCE (OCL): 350μH MIN @100kHz, 0.1VRMS, 8mADC BIAS FROM 0°C TO 70°C, TX AND RX
 -POE CURRENT: 350mADC MAX
 -PERFORMANCE @ 25°C:
 INSERTION LOSS (IL): 1.1dB MAX FROM 0.5MHz TO 100MHz
 RETURN LOSS (RL): 18dB MIN FROM 0.5MHz TO 30MHz
 18-20LOG(f/30)dB MIN FROM 30.1MHz TO 60MHz
 12dB MIN FROM 60.1MHz TO 80MHz
 CROSSTALK ATTENUATION: 35dB MIN FROM 0.5MHz TO 40MHz
 33-20*LOG(f/50)dB MIN FROM 40.1MHz TO 100MHz
 COMMON MODE REJECTION RATIO (CMRR): 30dB MIN FROM 0.5MHz TO 100MHz
 -ISOLATION VOLTAGE: COMPLIES WITH IEEE802.3af 2003, PARA 33.4.1, ITEM a.

D1-D8 = RECTIFIER DIODES
 FORWARD VOLTAGE, Vf = 1.2V MAX @ If=0.5A.
 FORWARD CURRENT, If = 0.5A MAX.
 REVERSE VOLTAGE, Vr = 80V MAX.

5. OPERATING TEMPERATURE: FROM 0° TO +70°C.
LED COMPLIANT WITH IEC60825-1 SAFETY OF LASER PRODUCTS. WHEN OPERATED UP TO 20 mA. THE 250 OHM RESISTOR IS INCLUDED IN THE LEADS.

INDICATED CONNECTIONS ARE FOR NIC CONFIGURATION. THE MAGNETICS ARE SYMMETRIC, AND SUPPORT AUTO-MDI/MDIX.

LED PEAK WAVELENGTH: GREEN(λ) = 565nm.

TRADEMARK, PART NUMBER, DATE CODE, COUNTRY OF ORIGIN, AND AGENCY APPROVAL MARKING IN APPROXIMATE LOCATION SHOWN.

GREEN	GREEN	1-6605310-1
LED1	LED2	PART NUMBER

THIS DRAWING IS A CONTROLLED DOCUMENT.		DR: G. ATTADIA - DOCK5	DATE: 04MAR2005
DIMENSIONS: INCHES		CHK: D. FAROLE	DATE: 04MAR2005
TOLERANCES UNLESS OTHERWISE SPECIFIED:		APVD: D. FAROLE	DATE: 04MAR2005
0 PLC	± .005	NAME	1X1 MAG45(TM) MODULAR JACK, 4DN2 SCHEMATIC, 3D15 SERIES PoE CIRCUIT, SHIELDED, WITH RESISTOR LEADS
1 PLC	± .010	PRODUCT SPEC	108-2100
2 PLC	± .020	APPLICATION SPEC	
3 PLC	± .050	SIZE	A1
4 PLC	± .100	GAGE CODE	00779
ANGLES	± .005	DRAWING NO	6605310
MATERIAL		WEIGHT	
FINISH		CUSTOMER DRAWING	
		SCALE	NTS
		SHEET	1 OF 1
		REV	B